

CERAMIC BAND HEATERS

for generating higher temperatures

800°C max.
(Normally 700°C)



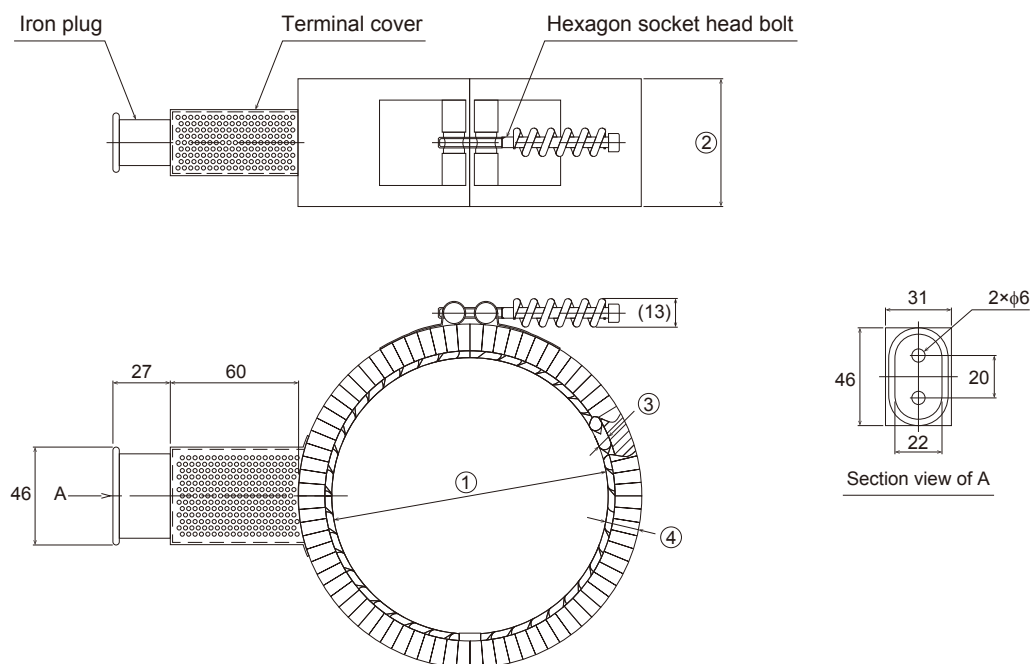
- Excellent insulating properties at high temperatures
- Continuous operation is possible at 700°C.
- Customization is possible, such as heaters with holes or notches.

* For details, contact our sales representative.

Features

- High temperature capability and excellent durability. An integrated layer of ceramic fiber jacket improves energy efficiency.
- Many types of terminal are available.
- Flexible customization is possible on request, such as heaters with drilled holes or notches.

Shape



Specifications

① Diameter (φ)	② Width (mm)	③ Thickness of ceramic (mm)	④ Thickness of cover (mm)	Max. operating temperature (°C)	Max. watt density (W/cm ²)
65 to 2500	35 to 500	9	17 *	700 normally / 800 maximum	7

* The figure includes the dimension of the ceramic heat insulator cover.

Precautions for use

- The ceramic band heaters are made-to-order products. For details about the product including the usage, contact our sales representative.
- Although heaters with watt densities of up to 7 W/cm² can be manufactured, it is necessary to control the heater temperatures to avoid overshooting when they are in use.



E-mail: gbp@sakaguchi.com
 URL: <http://www.sakaguchi.com/gbp/>

SN Sales Dept. Phone: +81 3 5624 5054 Fax: +81 3 5624 5043
 SN営業部 TEL:03-5624-5054 FAX:03-5624-5043