

MICRO CABLE AIR HEATER

MCA-500E / MCA-1000E / MCA-1500E

Precautions when using this product

- Before turning on the heater, ensure that the gas is being supplied.
- Ensure that the gas being supplied is at ambient temperature.
- Use the heater with the built-in thermocouple connected to a temperature control device and the temperature maintained at or below 500°C.
- To stop the heater, first turn off the heater while the gas is still being supplied.
Then, after ensuring that the temperature of the built-in thermocouple has dropped to or below 50°C, shut off the gas supply.

Power consumption



about 15% less

(than our previous models)



Product features

◆MCA-500E / MCA-1000E / MCA-1500E

■Highly efficient, quick heating

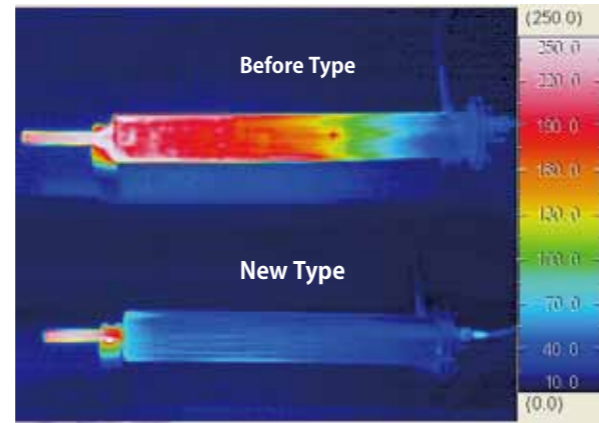
Gas heating efficiency has been greatly improved thanks to the specially designed sheathed heating element.

■Greatly reduced heater surface temperature

The heater's special internal structure has substantially reduced the surface temperature of the heater's tubular body, eliminating the need for heat insulating material or cooling.

■Energy saving

The new heater consumes about 15% less electricity (than our previous models).



◆Thermography comparison between the new and previous models
※Based on measurements under specific conditions

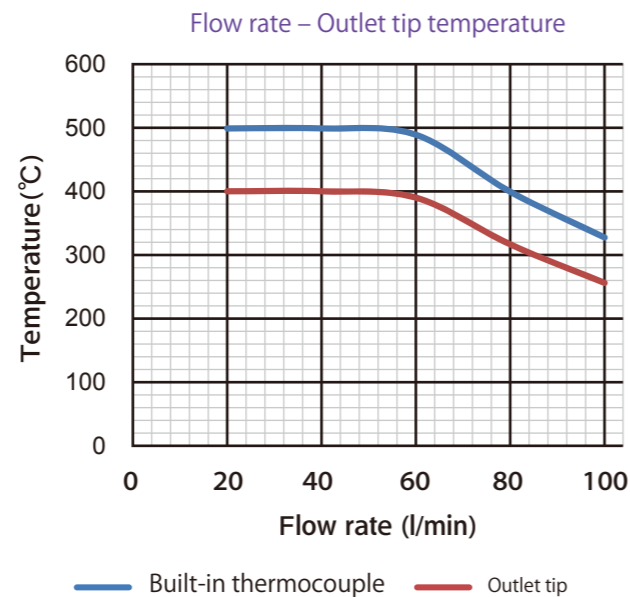
Specifications

◆MCA-500E

Model	: MCA-500E
Rating	: 200V 500W
Insulation resistance	: DC500V 5MΩ or above
Dielectric strength	: AC400V for one minute, current detection 10mA
Maximum operating temperature	: 500°C (at built-in thermocouple)
Temperature at outlet tip	: See the temperature characteristics graph.
Flow rate	: 20NI/min~100NI/min
Gas pressure	: Up to 0.3MPa (3kgf/cm ²)
Material	: Stainless steel (tubular body, flexible heater, sheathed thermocouple)
Tubular body dimensions	: φ48.6×156mm (L)
Heated substance	: Air, inert gas, etc.

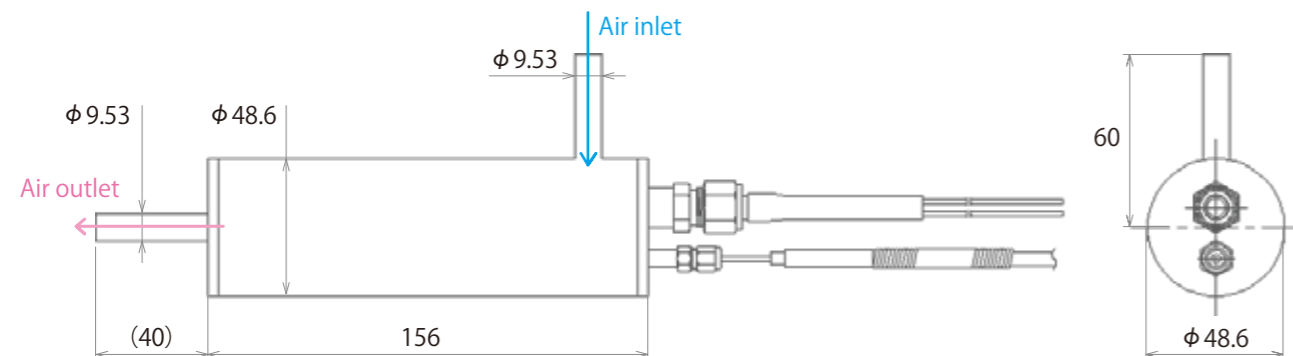
※) Please contact us for any requests for customized heaters.

Temperature characteristics



Dimensions

◆MCA-500E



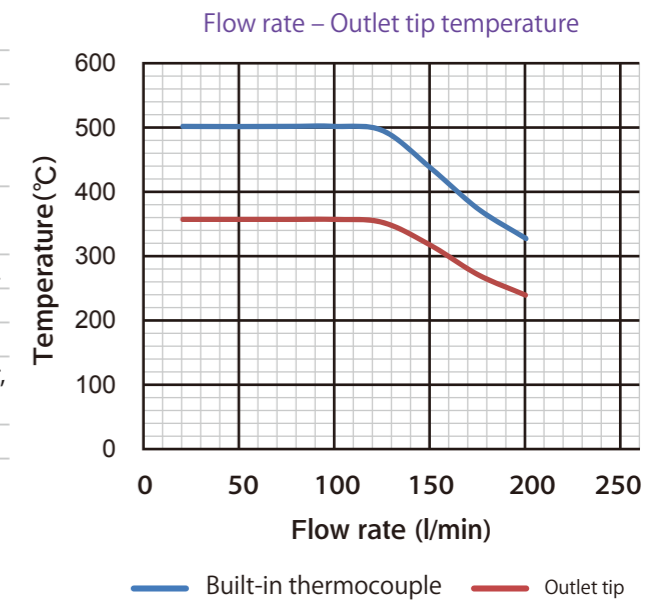
Specifications

◆MCA-1000E

Model	: MCA-500E
Rating	: 200V 500W
Insulation resistance	: DC500V 5MΩ or above
Dielectric strength	: AC400V for one minute, current detection 10mA
Maximum operating temperature	: 500°C (at built-in thermocouple)
Temperature at outlet tip	: See the temperature characteristics graph.
Flow rate	: 20NI/min~100NI/min
Gas pressure	: Up to 0.3MPa (3kgf/cm ²)
Material	: Stainless steel (tubular body, flexible heater, sheathed thermocouple)
Tubular body dimensions	: φ60.5×291.5mm (L, the flange inclusive)
Heated substance	: Air, inert gas, etc.

※) Please contact us for any requests for customized heaters.

Temperature characteristics



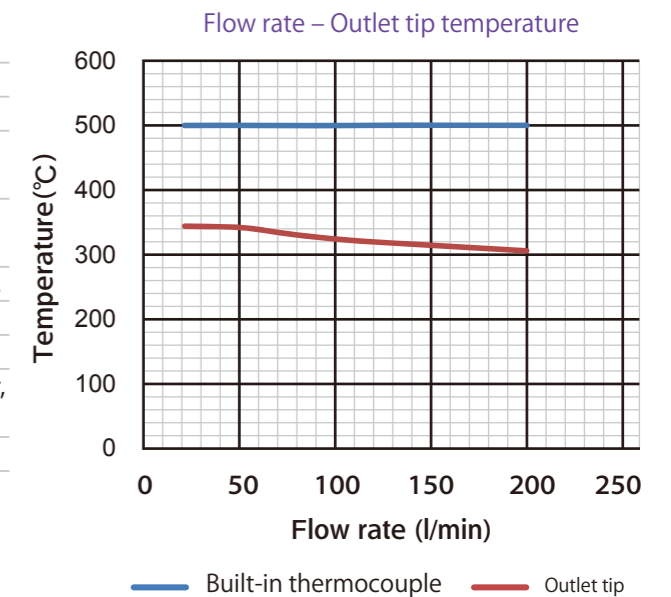
Specifications

◆MCA-1500E

Model	: MCA-500E
Rating	: 200V 500W
Insulation resistance	: DC500V 5MΩ or above
Dielectric strength	: AC400V for one minute, current detection 10mA
Maximum operating temperature	: 500°C (at built-in thermocouple)
Temperature at outlet tip	: See the temperature characteristics graph.
Flow rate	: 20NI/min~100NI/min
Gas pressure	: Up to 0.3MPa (3kgf/cm ²)
Material	: Stainless steel (tubular body, flexible heater, sheathed thermocouple)
Tubular body dimensions	: φ60.5×291.5mm (L, the flange inclusive)
Heated substance	: Air, inert gas, etc.

※) Please contact us for any requests for customized heaters.

Temperature characteristics



Dimensions

◆MCA-1000E / MCA-1500E

